



Procedure for the display of online data from the demonstration sites

Author: Florian Schlögl
Company: ISET e.V.
Address: Königstor 59
D-34117 Kassel
Germany
Email: fschloegl@iset.uni-kassel.de
Versions: 1: 2005-12-31
Document name: deliverable73_01.doc
Document type: deliverable
Belongs to: WP 7
Further Authors: Michael Scheibe; ISET e.V.

Abstract: Online data of output power of the wind turbines and the CHP plants will be displayed on the web page open to the public to show the performance and the advantages of the optimisation tools. At this stage of the project it is not yet possible to implement a final solution for the demonstration of the online data. Therefore only the mechanism of the data transfer and display is installed as a first step. This mechanism may be modified and expanded as the project proceeds and the input of other WPs is available.



1. Introduction

This homepage is a key gateway for this dissemination project. It is set up to explain the project and to show the results in a sophisticated way. During the test and demonstration phase (WP5) online data of output power of the wind turbines and the CHP plants will be on the web page open to the public to show the performance and the advantages of the optimisation tools.

1.1. Input from other WPs

For a complete installation of the demonstration part of the home page input from other WPs is required. This refers mainly to the demonstration phases to be developed in WP 5, but also to other work packages (s. Figure 1).

At this stage of the project it is not yet possible to implement a final solution for the demonstration of the online data. Therefore only the mechanism of the data transfer and display is installed as a first step. This mechanism may be modified and expanded as the project proceeds and the input of other WPs is available.

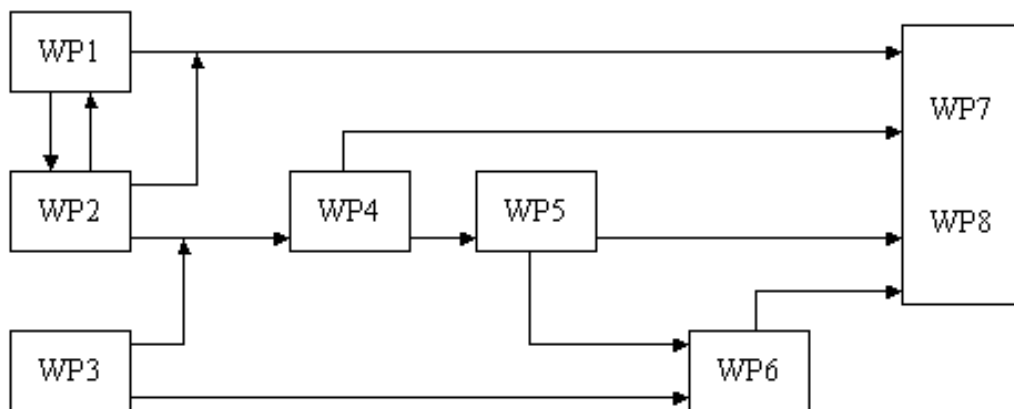


Figure 1

In addition to the online data it will be also necessary to explain the displayed diagrams to the visitor of the home page. Maybe this can be done with some sort of help section for each diagram type. For this input from WP 1 and WP 2 is required.

2. Data transfer

2.1. Transfer method

The data is transferred via FTP to a ftp-server at ISET. The online data is put in to a file structure as in Figure 2 and Figure 3. The format of the data is JPG or GIF. For an optimal display of the pictures a certain resolution is necessary. The exact size of the resolution have to be found by practical experience. Maybe it will be necessary to have the same pictures in different resolutions to allow for a good display of the data in different monitor resolutions. The ftp file structure is then transferred into the home page and displayed as shown in Figure 4 and Figure 5.

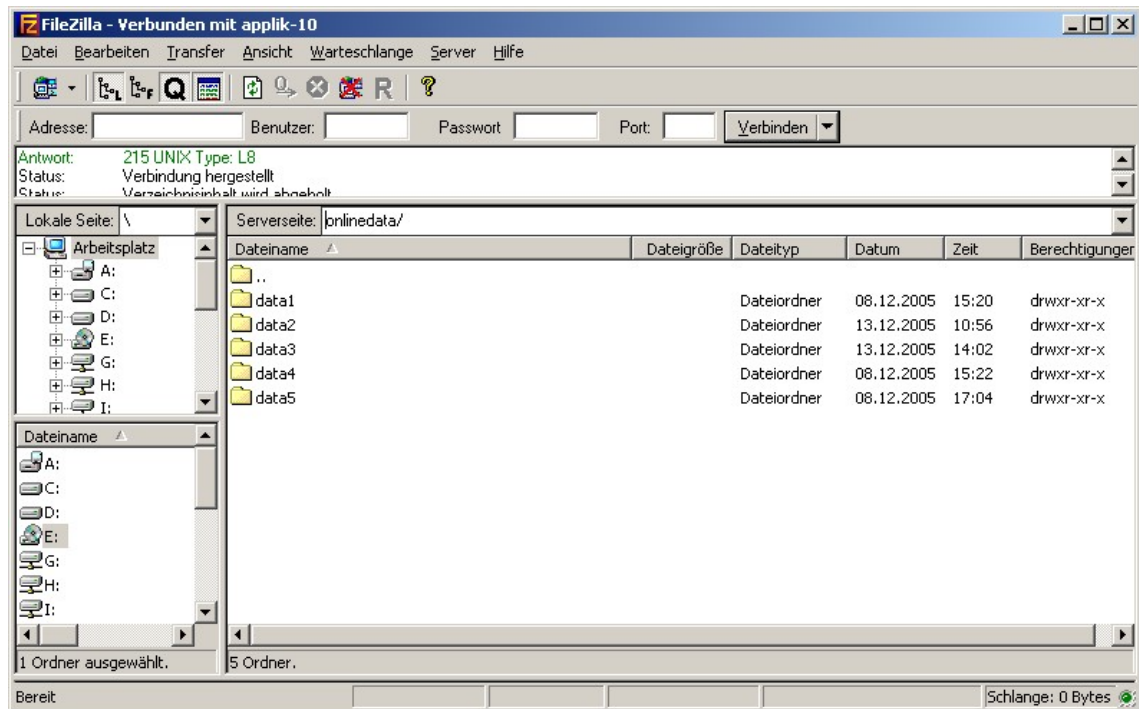


Figure 2

2.2. Access to the FTP-server

The FTP-server is located at ISET. It can be accessed with username and password. The connection data will be given to the provider of the online-data and/or is available on request to the webmaster (desire-webmaster@iset.uni-kassel.de).

3. File structure

The pictures with the online data are put into a file structure. The first level of this structure (the folders data1, data2... in Figure 2) are provided for different data types e.g. data from different countries, wind power data, CHP-plant data etc. It is then possible to filter the displayed data according to the folder names of this level of the file structure (s. Figure 4).

The next level of the file structure are the JPG-files itself. The file names have to accord some rules as described in 3.1

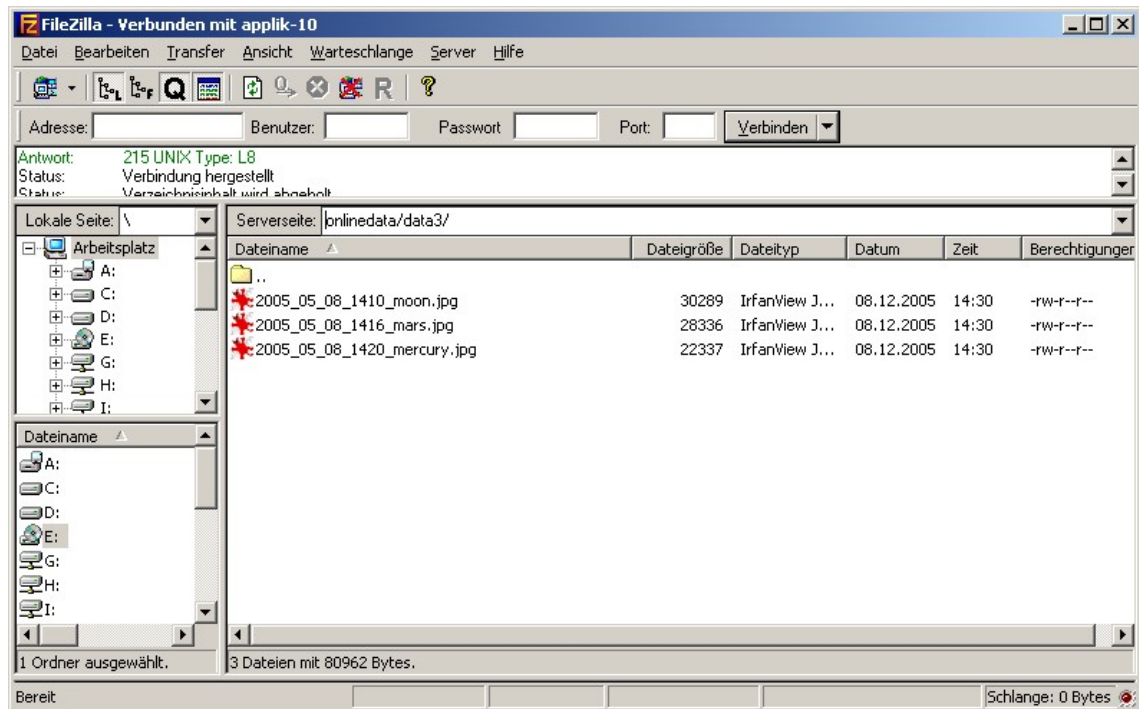


Figure 3

3.1. File names

The file names have to accord the following pattern:

YYYY_MM_DD_HHmm_filename.jpg

with the date:

YYYY: year
MM: month
DD: day

the time:

HH: hour from 0h to 23h
mm: minute

and arbitrary file name.

This file name is then converted to a name and date and displayed together with the picture as shown in Figure 4 and Figure 5.

4. Display of the data

The user has the possibility to select the data according to data type and date. The data is then displayed ascending or descending by date one below the other.

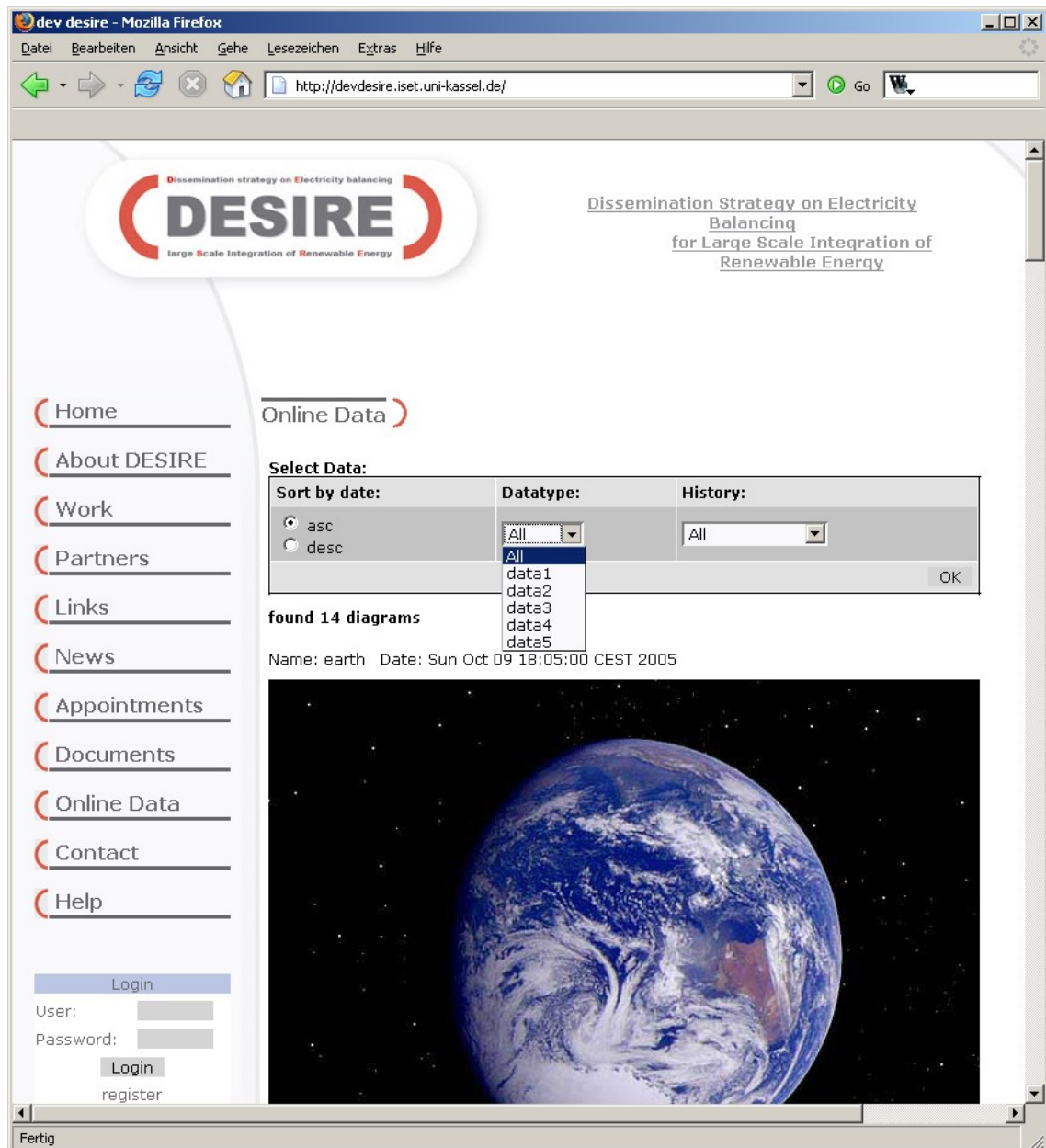


Figure 4

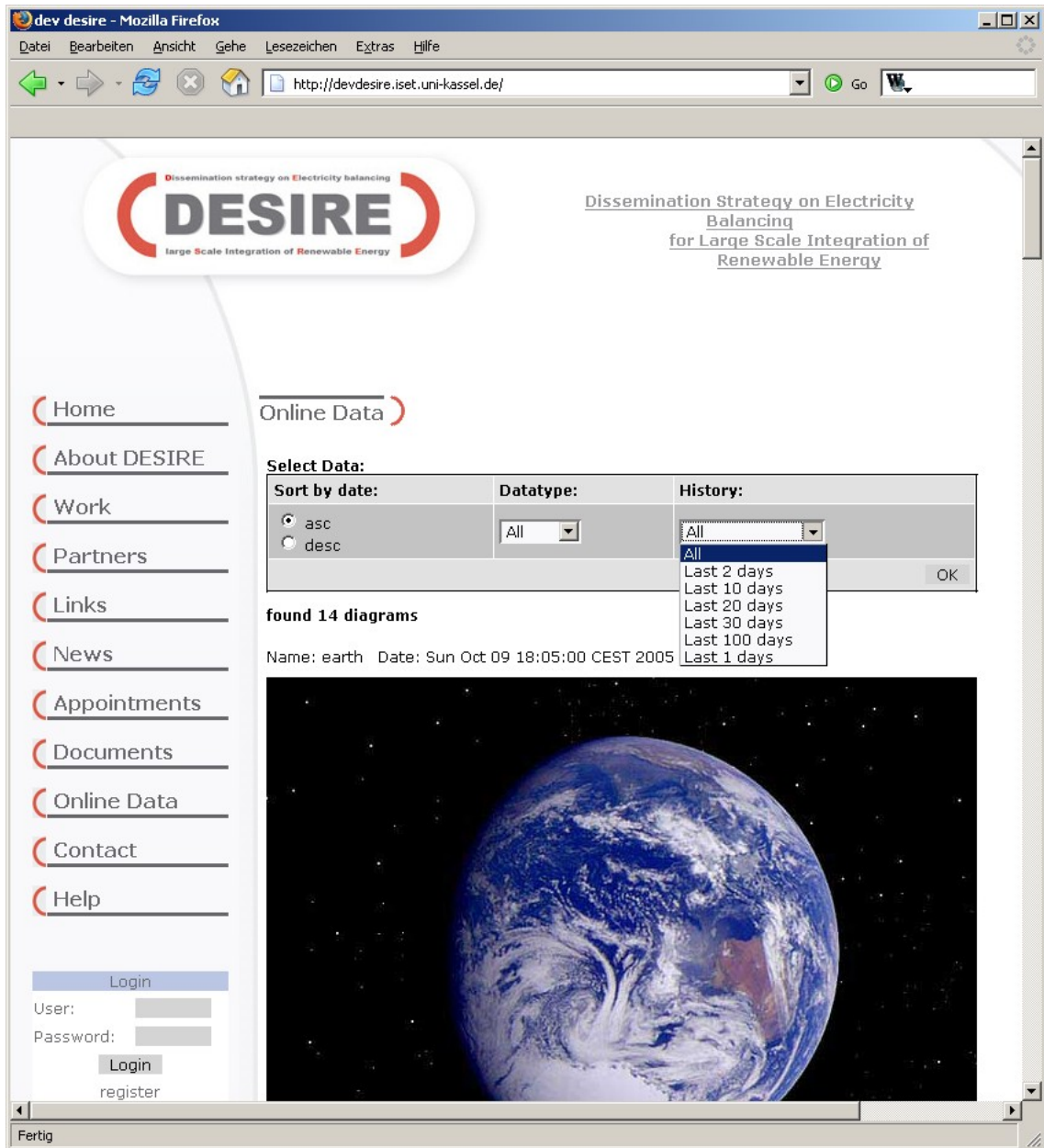


Figure 5